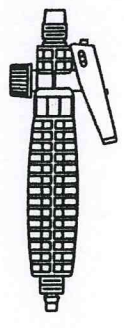


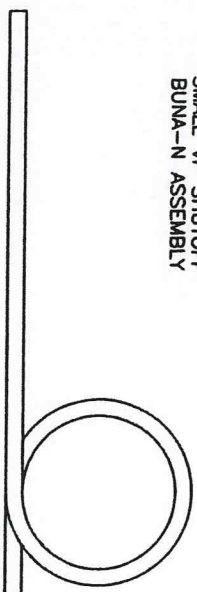
153-414
QUICK
CONNECT



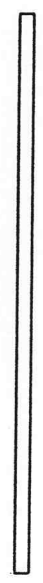
153-899
GRAY POLY
SHUTOFF NUT



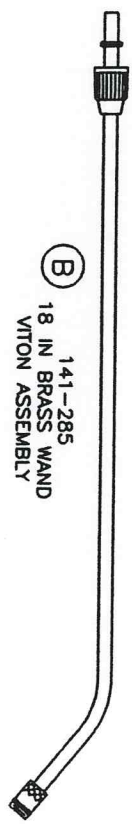
149-448
SMALL VP SHUTOFF
BUNA-N ASSEMBLY



803-563
SMALL BRAIDED HOSE
(.225 ID x .36 IN LONG)



600-453
12-3/4 LONG
SUPPLY TUBE



141-285
18 IN BRASS WAND
VITON ASSEMBLY



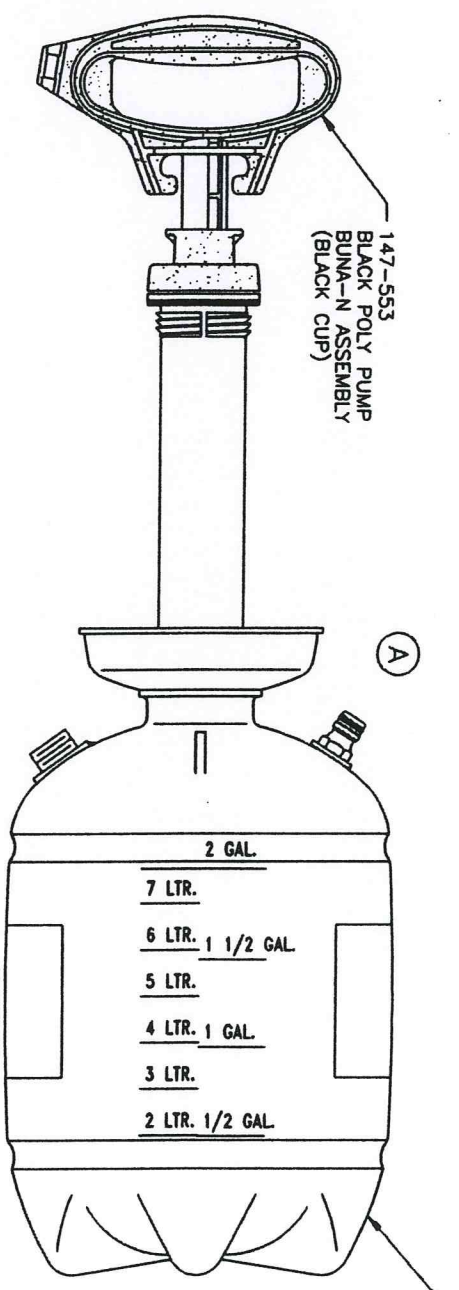
156-225
SMALL HOSE BARB
BUNA-N ASSEMBLY



143-510
BRASS CONE NOZZLE
VITON ASSEMBLY



156-231
BLACK POLY
COMPRESSION NUT



147-553
BLACK POLY PUMP
BUNA-N ASSEMBLY
(BLACK CUP)

142-218
DARK BLUE POLY
2 GAL TANK ASSEMBLY
W/153-415
RED ADAPTER
W/156-250
TANK ADAPTER

2 GAL.
7 LTR.
6 LTR. 1 1/2 GAL.
5 LTR.
4 LTR. 1 GAL.
3 LTR.
2 LTR. 1/2 GAL.

3 DEC. = 4310	10/20/07
4 DEC. = 4300	10/20/07
5 DEC. = 4177	10/20/07
6 DEC. = 4177	10/20/07
7 DEC. = 4177	10/20/07
8 DEC. = 4177	10/20/07
9 DEC. = 4177	10/20/07
10 DEC. = 4177	10/20/07
11 DEC. = 4177	10/20/07
12 DEC. = 4177	10/20/07
13 DEC. = 4177	10/20/07
14 DEC. = 4177	10/20/07
15 DEC. = 4177	10/20/07
16 DEC. = 4177	10/20/07
17 DEC. = 4177	10/20/07
18 DEC. = 4177	10/20/07
19 DEC. = 4177	10/20/07
20 DEC. = 4177	10/20/07
21 DEC. = 4177	10/20/07
22 DEC. = 4177	10/20/07
23 DEC. = 4177	10/20/07
24 DEC. = 4177	10/20/07
25 DEC. = 4177	10/20/07
26 DEC. = 4177	10/20/07
27 DEC. = 4177	10/20/07
28 DEC. = 4177	10/20/07
29 DEC. = 4177	10/20/07
30 DEC. = 4177	10/20/07

CONFIDENTIAL

This drawing, owned by H.D. Hudson Manufacturing Company, is confidentially licensed and its disclosure to the recipient is in violation of the license. The recipient agrees not to reproduce or copy it, in whole or in part, or to furnish information from it to others, or to use it in any way that is or may be injurious or damaging to H.D. Hudson Manufacturing Company in any way, and to return it immediately upon request.

DATE	BY	REVISION
A	2	39407 9-21-07 DRW
B	2	39524 1-19-10 DRW
C	1	39547 5-13-10 DRW

H.D. HUDSON MFG. CO.
HASTINGS WISCONSIN 53033

2 GAL HUDSON PUMPLESS POLY	DATE: FULL	DATE: D. MALM	DATE: 5-16-07
BUILT BY HASTINGS			
PART CODE: 27912			

AUG 20 2010

- S-3000 SILKSCREEN
- 804-362 ULTRA VIOLET INK, WHITE
- 871-200 INSTRUCTIONS
- 891-022 OPEN FRONT PRINTED CARTON

K7 = 6985