

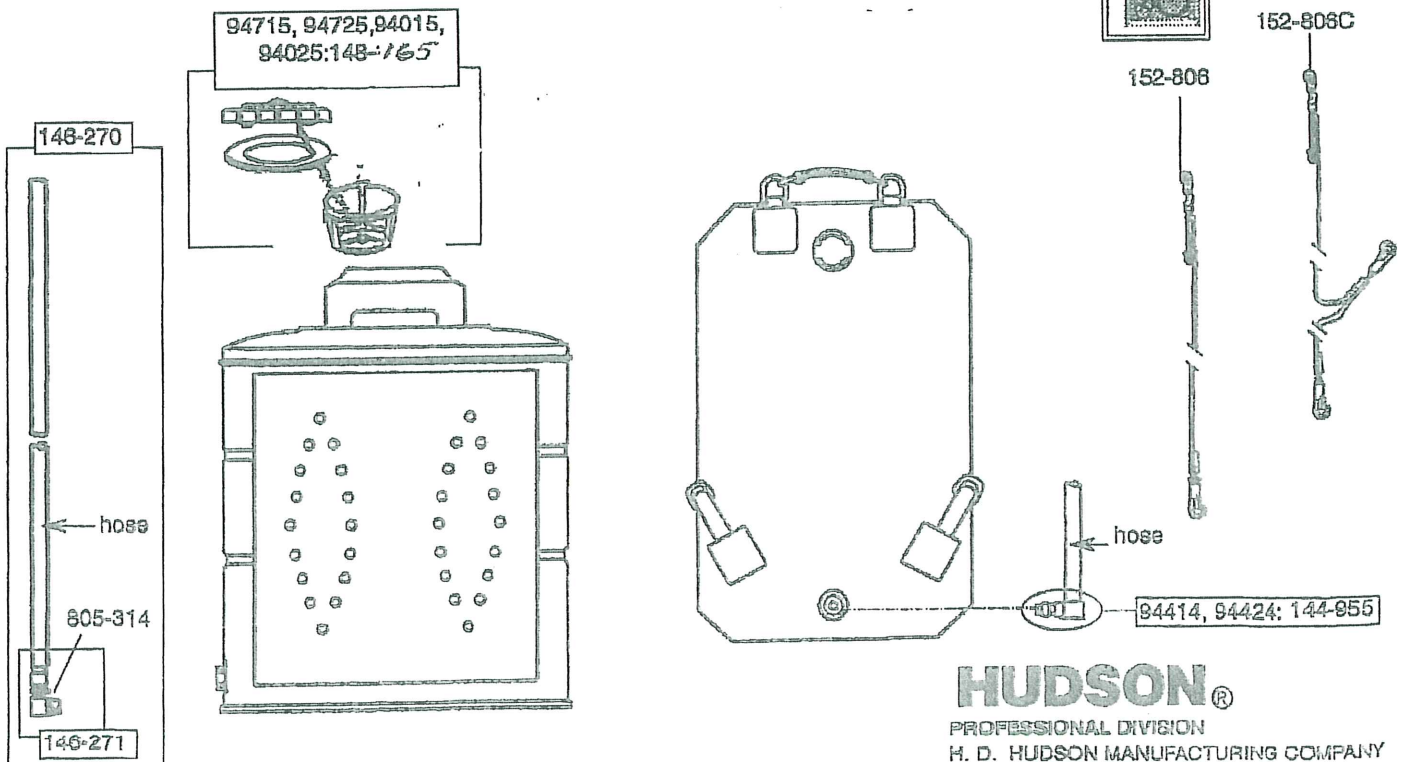
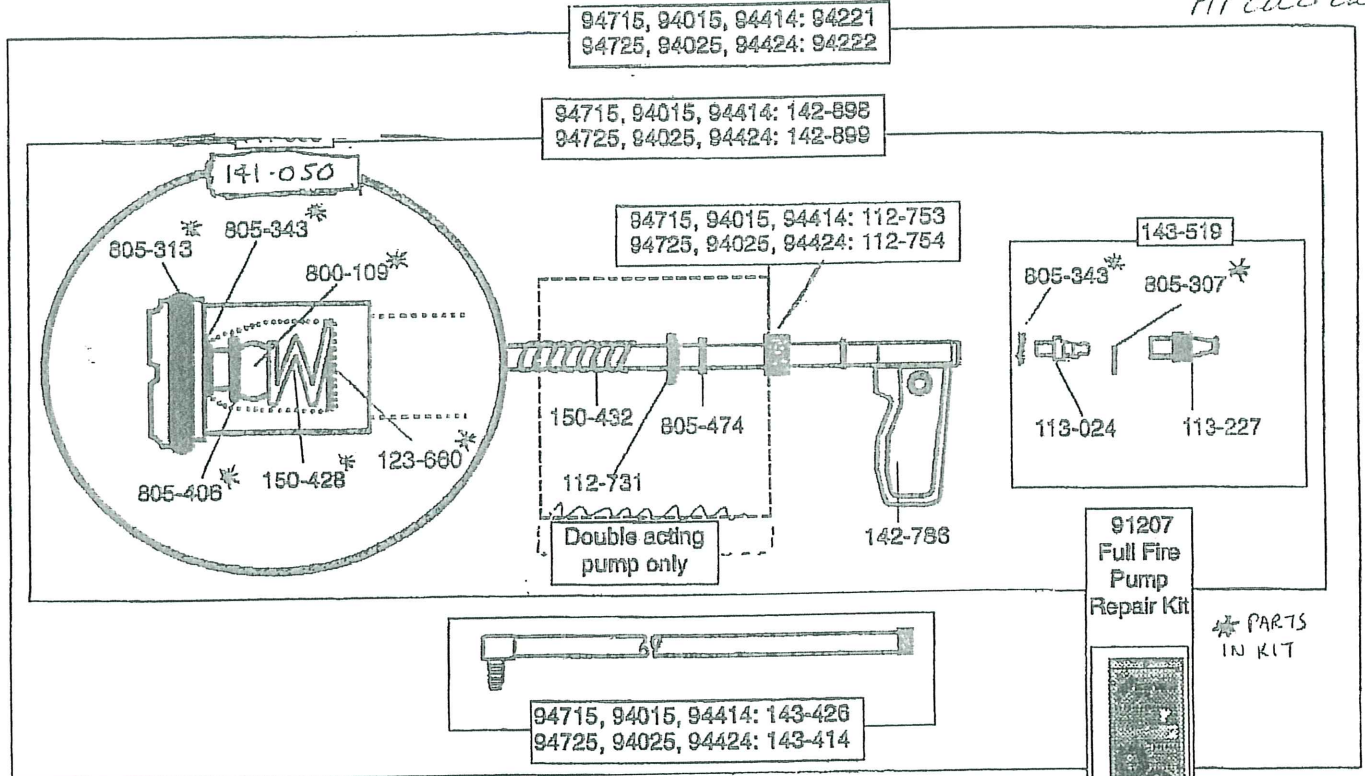
JAN 21 2005

**MAINTENANCE PARTS FOR  
HUDSON® RANGER® BAK-PAK®  
FIRE PUMPS**

Model	94715	94725	94015	94025	Stainless	Stainless	Galvanized	Galvanized	Single acting	Double acting	Single acting	Double acting
-------	-------	-------	-------	-------	-----------	-----------	------------	------------	---------------	---------------	---------------	---------------

Model	94414	94424	94221	94222	Fabric	Fabric	Fire Pump	Fire Pump	Single acting	Double acting	Single acting	Double acting
-------	-------	-------	-------	-------	--------	--------	-----------	-----------	---------------	---------------	---------------	---------------

Also 6474C  
Arcadia



**HUDSON®**  
PROFESSIONAL DIVISION  
H. D. HUDSON MANUFACTURING COMPANY  
500 North Michigan Avenue • Chicago, IL 60611-3769  
Phone: 800-523-8284 • FAX: 312-544-7999  
E-Mail: ladybug@hdhudson.com  
Website: www.hdhudson.com